



# FIRST PRESBYTERIAN CHURCH NEWSLETTER

Albemarle, North Carolina

Elizabeth McNair Ayscue, Co-Pastor

Matt Drumheller, Co-Pastor

Frank Poolos, Director of Vocal and Handbell Music

Stan Scheer, Organist

Jane Snyder, Director of Christian Education & Fellowship

Dorothy Hart, Youth Director

Kyle Lambert, Office Manager

Pam Knighten, Secretary

Church Office: (704) 982-2722

Website: [www.fpcalbemarle.org](http://www.fpcalbemarle.org)

E-mail: [klambert@fpcalbemarle.org](mailto:klambert@fpcalbemarle.org)

\*\*\*\*\*



July 2020

Dear Friends,

Earlier this week, Melissa Eudy, along with 5 year old Julian Claire, stopped by the church to drop something off. They lingered for a few minutes of conversation with me and a couple of other people who happened to be in the building at the same time. Needing to continue her errands, Melissa turned to Julian and said, *It's time to go now*. Julian's face fell and she said, *I just need to see my Sunday School room for a few minutes, Mommy*. And then she wept. Her tears were not the angry tears of a child denied her wish. They were the broken hearted tears of a child who missed a place, a people, a routine that was familiar, safe, and life giving. She missed her church.

I have cried the same tears---longing for familiar routines and the ability to do church as we have done it for so many years. Perhaps you have tasted the same salt.

What Julian Claire didn't know is that I regularly receive calls from one or another of you asking if you can come by the church, sit in the sanctuary for a few minutes, peek in the kitchen, or walk around in the building. You speak with both longing and urgency in your voice as you say, *I just need to be there*. It is quite possible to *social distance* in the building with only a few of us here. If you want to stop by, to sit or stand or pray or walk about in the *house of the Lord*, just check to make sure someone is here. With the psalmist, we affirm, *I was glad when they said to me, let us go to the house of the Lord*.

Grace and Peace,  
Elizabeth

P.S. Julian Claire came back the next day to play in her Sunday School room.

\*\*\*\*\*

## *When will we return to worship in the sanctuary?*

The question much on our minds is, *When will we return to worship in the sanctuary?* The answer is not clear. At its June meeting, Session heard and concurred with the report of the Re-opening Work Group. This group continues to monitor the number of COVID-19 cases in Stanly County and North Carolina, as well as the growing percentage of positive tests in our county and seeks to balance the benefits of corporate worship with its risks. That information led to their recommendation that sanctuary worship resume no sooner than September 13. This is difficult news for many of us, because we find both strength and joy in gathering as the body of Christ. I like to think of us as a *scattered body* now---each of us sharing the love of God and the peace of Christ with our neighborhood. The gospel is needed wherever we find ourselves in this season.



## Worship Notes

The sermon series based on the theology of Mr. Rogers will continue through July 19. We will think and talk together about how we can share life as global and local neighbors. If you would like to participate in worship, please contact Matt ([mdrumheller@fpcalbemarle.org](mailto:mdrumheller@fpcalbemarle.org) or 540.449.5319) or Elizabeth ([eayscue@fpcalbemarle.org](mailto:eayscue@fpcalbemarle.org) or 704.985.2945).

\*\*\*\*\*

**The Thursday afternoon Bible study which has been led by Catherine and Matt Moeller will not meet during July.**

Watch for new plans in the August NL.



\*\*\*\*\*

## First Presbyterian Church Storytime for Children

**Tuesdays at 1:00 p.m. for Preschool-Kindergarten**

**via YouTube livestream video**

Matt or Elizabeth will livestream a video reading a children's Bible story.

To access the video, go to the First Presbyterian Church website ([www.fpcalbemarle.org](http://www.fpcalbemarle.org)) and click on the Storytime banner.



**Tuesdays at 1:15 p.m. for 1<sup>st</sup>-3<sup>rd</sup> Graders via Zoom**

Matt or Elizabeth will host a Zoom call with the 1<sup>st</sup> through 3<sup>rd</sup> graders to read a chapter book with them.

This will be about 20 minutes of reading time.

Email Matt ([mdrumheller@fpcalbemarle.org](mailto:mdrumheller@fpcalbemarle.org)) for the Zoom code and password.

\*\*\*\*\*

Matt and Elizabeth will lead Morning Prayer on Mondays and Wednesdays at 10:00 a.m. through Zoom. You can also find the link through the Facebook event and by clicking the banner on the website. Join on a Zoom call to participate in a time of Scripture reading and prayer to start your day.



\*\*\*\*\*



### Mom's Group via Zoom

**If you are a mom who could use some support from peers in the church, there is a group gathering on Zoom. Led by Melissa Eudy and Sandy Saunders, this group meets on Wednesday nights at 9:00 p.m. Please contact Melissa Eudy ([the5eudys@gmail.com](mailto:the5eudys@gmail.com) or 704-439-6747) for the Zoom details.**

\*\*\*\*\*

## Digital Devotions

**Tuesdays & Thursdays at 10:00 a.m.**

Join Matt and Elizabeth this summer for the reading of selected Psalms and a brief reflection via livestream on YouTube.

If you have a particular Psalm you would like to have featured, email Elizabeth ([eayscue@fpcalbemarle.org](mailto:eayscue@fpcalbemarle.org)).



\*\*\*\*\*



**The print devotionals, written by the congregation, will not appear regularly in your email.** However, anyone inspired to write a devotional is invited to send it to Elizabeth for distribution ([eayscue@fpcalbemarle.org](mailto:eayscue@fpcalbemarle.org)). Many thanks to the writers who have made these devotionals available since March 1.

**STEWARDSHIP AND SUCH...APRIL 2020 FINANCIAL REPORT**

**GENERAL FUND**

<b>Actual:</b>	<u>Year to Date</u>	<u>Budget-to-Date</u>
Total Income Received:	212,475.00	232,983.00
Total Expenses:	<u>199,228.00</u>	<u>243,944.00</u>
(Shortage)/Surplus	13,247.00	(10,961.00)

**GENERAL FUND BUDGET**

	<u>2020</u>	
Pledges:	512,746	
Total Income:	561,860	
Total Expenses:	561,860	
Weekly Amount Needed to Keep Commitments:	<u>\$10,805</u>	We are ahead \$8,815 in pledges.
Average Weekly Amount Received in May:	<u>\$6,577</u>	Ten-Cents-A-Meal for May: \$123.00
Faith on the Fifth Offering for Crisis Assistance Fund:	\$1,225	Pentecost Offering: \$685.00

\*\*\*\*\*

**SESSION NOTES**

It is with mixed emotions that session members received Reverend Elizabeth Ayscue's retirement announcement at the June 21 session meeting. She will retire at the end of August 2020 after serving First Presbyterian Church for 18 years as our pastor. Reverend Matt Drumheller will lead our church going forward at that time. The Worship committee continues to meet with a group of church members dedicated to opening the church again to worship. In accordance with state guidelines, they will create measures to make in-person worship safe for attendance when we are able to do so. The Christian Education committee just completed a successful virtual Vacation Bible School and looks forward to a successful online cooking camp the week of June 22. Both deacons and elders continue to make church member contact and support an ongoing point of focus.

Steve Cumming  
Clerk of Session

\*\*\*\*\*

**Thanks to** Hugh Carpenter who helped with sanctuary clean-up, Frankie Palmer for her assistance in the church office, and Lynn Poplin for her help in the Educational Department.



**Thank You for Helping with June's First Family Dinner**

Thanks to all of the INCREDIBLE volunteers who helped make this dinner so nice! Linda Anderson, Elizabeth Bryson, Gloria Bryson, Andy and Ruth Cotton, Ann Duckwall, Donna Gaither, John Howell, Margaret Ivey, Merrin Kinley, Kim Marshall, Laura McLeod, Barbara McManus, Ronnie and Sarah Michael, Penny Morton, Barbara Overcash, Gayle Russell, Janet Schaefer, Harold Sharpe, Lee Snuggs, and Witt Snuggs. YOU ARE A BLESSING TO ME!! What a wonderful mix of volunteers. Thank you so much for sharing your time and talents with us.

Jane Snyder, Director of Christian Education & Fellowship Services

\*\*\*\*\*



**Ten-Cents-A-Meal**

**We will receive the Ten-Cents-A-Meal offering for hunger on July 5. This monthly offering is used by the Presbytery of Charlotte to fund hunger programs and agencies (including SCCM) throughout the presbytery. We received a total of \$123.00 for Ten-Cents-A-Meal for May 2020.**

\*\*\*\*\*

**ENDOWMENT COMMITTEE GRANTS**

The Endowment Committee will accept applications for grants from the Gaither Endowment until **July 15**. Applications are available in the church office. If you have questions, contact the church office (704-982-2722 or klambert@fpcalbemarle.org). Applications may be submitted by individual church members or committee chairpersons. Once funding requests are received, the Endowment Committee will review the applications and determine which requests will be funded. Personal interviews may be requested if further information is needed regarding a funding request.

If you have questions about the application process, please contact the office. Endowment Committee members include: Debbie Bennett, chair; Elizabeth Ayscue, Patrick Currie, John Earnhardt, Bob Gaither, Mary Kesselman, Lee McLaurin, and Nathan Sanges.

# NEWS & NOTES

## **Minister's Discretionary Fund:**

In memory of Dr. Francis W. Green, given by Miriam Russell.  
In memory of Dr. Francis W. Green, given by Mr. & Mrs. David Whitley.  
In memory of Jane Lisk, given by Mr. & Mrs. Mark Andrew.  
In memory of Cam Rogers, given by Mr. & Mrs. Thomas Grady.  
In memory of Cam Rogers, given by Betty Robertson.  
In honor of Kim & Jeff Robertson, given by Mildred Andrew.

## **Scholarship Endowment:**

In memory of Dr. Francis W. Green, given by Mr. & Mrs. Mark Andrew.  
In memory of Dr. Francis W. Green, given by Mr. & Mrs. J.C. Boone.  
In memory of Dr. Francis W. Green, given by Laura Yost Grande.  
In memory of Dr. Francis W. Green, given by Dr. & Mrs. Rufus Lefler.  
In memory of Dr. Francis W. Green, given by Dr. Richard V. Liles.  
In memory of Dr. Francis W. Green, given by Dr. & Mrs. Mike McLeod.  
In memory of Dr. Francis W. Green, given by Mr. & Mrs. Andrew McSwain.  
In memory of Dr. Francis W. Green, given by Liz Pollard.  
In memory of Dr. Francis W. Green, given by Sandra Pollard.  
In memory of Dr. Francis W. Green, given by Marshall Rogers.  
In memory of Dr. Francis W. Green, given by Mr. & Mrs. Rich Schaefer.  
In memory of Dr. Francis W. Green, given by Mr. & Mrs. Joe Snuggs.  
In memory of Carolyn Sharpe, given by Gus & Pam Holbrook.

## **SYMPATHY**

To Pam Holbrook and family upon the death of her cousin, Mickie Smith.

## **CONGRATULATIONS**

To Emily Jones upon her graduation from UNC-Chapel Hill with a Bachelor of Arts in Public Relations & Advertising and a minor in Information Science.

## **A note of thanks-----**

Dear First Presbyterian Church Scholarship Committee,

Thank you for your scholarship support over the past 4 years. I am now a graduate of High Point University and will attend Duke Divinity School starting this fall. I will pursue a Master of Divinity degree. Thank you for your support through scholarships.

Blessings,  
Jacob Lancaster

\*\*\*\*\*



## **Magazine Donations**

**Jean Rabe requests the donation of your already read magazines to share with others at Trinity Place.**

**You can either take them to the front desk at Trinity Place (24724 US 52 Business South, Albemarle) and ask that they be delivered to Jean**

**or**

**bring them by the church on Tuesday or Wednesday mornings for delivery.**

# prayer Requests



Do you ever see a name on the prayer list and think, *Now who is that?* Or forget what the relationship is? You are not alone as many folks have asked for help with this. The *Prayer List Connection* will refresh all our memories. Folks with chronic needs will be listed for a month in the bulletin. Following that month, we will keep them on the newsletter's *Prayer List Connection* for as long as we are requested to do so. Critical prayer concerns will be added weekly to the prayer list in the bulletin.

## Friends of the Congregation:

**Brinn Andrew**, daughter of Kellie & Jason Andrew.

**David Bailiff**, friend of Debbie Hahn; kidney transplant complications.

**Dale Benson**, brother of Ann Crutchfield.

**Ted Biggers**, friend of Martha Sue Hall & Dan Samples.

**Tom Bonekemper**, cousin of Linda Anderson; pancreatic cancer.

**Margaret Brooks**, friend of Debbie Hahn.

**Joan Bunn**, friend of Gina Martin; health concerns.

**Debbie Gabriel**, sister of Gayle Russell; breast cancer.

**Calvin Hall**, friend of Ruth Goodwin; kidney cancer – physical therapy for stroke.

**Sean Hickey**, brother-in-law of Lori Ivey; colon cancer.

**Catherine Johnson**, niece of Elizabeth Wilson; diagnosed with breast cancer.

**Denise LaBoube**, half-sister of Martha White; diagnosed with brain cancer-Astrocytoma.

**Junior Lambert**, uncle of Danny Lambert; stage 4 lung cancer.

**Molly Amelia Lowder**, continuing health concerns.

**Maddie McRae**, daughter of Renee & Keith McRae; diagnosis & treatment for a brain tumor.

**Bryanna Medlin**, Hodgkins Lymphoma.

**Bern Morehead, III**, son of Sally Pleasant & Dr. Bernard "Bernie" Morehead; diagnosed with brain tumor.

**James Nunn**, 19 year old nephew of Billie Jean Snuggs; hospitalized following surgery on optic nerve.

**Sally Ormand**, friend of Ruth Goodwin; cancer treatment.

**Alan Phillips**, brother-in-law of Billie Jean & Lee Snuggs; radiation treatment at Duke for brain tumor.

**Judy Portner**, sister of Billie Jean Snuggs; stage 4 brain tumor (Glioblastoma).

**Mark Rodgers**, son of Laura and Tim Rodgers; treatment for Ewing's Sarcoma (surgery on July 17 with chemotherapy to follow).

**David Sanges**, brother of Nathan Sanges.

**Jane Scheer**, spouse of Stan Scheer; Spring Arbor.

**Betty Stancik**, sister of Bill Hall; continuing health concerns.

**Garin Stepp**, Duchenne Muscular Dystrophy.

**Judy Toney**, sister of Jim Hesley; chemotherapy treatment for breast cancer.

**Sally Warburton**, friend of Debbie & John Hahn.

**Jason Washburn**, friend of Jessica & John Palmer; pancreatic cancer.

## Members of the Congregation:


**Don Joines.**

**Jane Pickler.**

**Jean Rabe.**

**Linda Richards**, physical therapy at Forrest Oakes.

**Pete Smith.**



# JULY

## Birthdays

01- Gina Martin  
Ben McLeod  
03- Addison Marks  
04- Don Abernathy  
07- Barbara Lindley  
Stella Marks  
17- Matt Carpenter  
Michael Laton  
22- Craig Minkler  
23- Jackson Palmer  
24- Beth Poolos  
Craig Taylor

25- Bruce Mittendorf  
26- William Ivey  
Adam Jolly  
27- Chris Chapman  
John Hahn  
Ellen Whitley  
29- Marlene Sanges  
31- James Cotton  
Dick Liles



# JULY

## Anniversaries

10- Don & Janice Abernathy  
21- Kent & Shannon Newport

28- Matt & Claire Drumheller  
John & Heather Kilde  
Jim & Mary Louise Sawyer



**SHOP & DROP FOR SCCM**  
**Thursday, July 16**  
**11:00 a.m.–2:00 p.m.**  
**Drop your donations**  
**at the front steps of the church**  
**(126 West North Street, Albemarle)**  
**Event will take place rain or shine.**

The Mission Committee is sponsoring a *Shop & Drop* to help supply the food pantry at SCCM with needed food items as well as personal hygiene items, toiletries, and paper products.

**Most needed items are:**  
**Canned Fruit in Light Syrup**  
**Canned Pasta Meals**  
**Paper Towels**  
**Toilet Paper**  
**Hygiene Items**  
**Toothpaste**  
**Toothbrushes (pkgs. no larger than 4)**  
**Bar Soap**  
**Hand Soap**  
**and**  
**Laundry Detergent (no larger than 100 oz.)**

These items may be brought to the front steps of the church, 126 West North St., where there will be folks to assist you. This event will take place rain or shine.

Let's try to cover the steps with nourishment and supplies for our neighbors!





# Lemonade on the Lawn via Zoom

We will enjoy our summer tradition of Lemonade on the Lawn (online) immediately following worship. You are invited to bring your own lemonade or beverage of your choice and join others for conversation.

Gathering will be simple. Along with the information regarding access to Sunday worship, you will receive the zoom link to gain entry to Lemonade on the Lawn.

We hope to see you following worship on Sundays!

\*\*\*\*\*



## POPCORN & A MOVIE FRIDAY, JULY 17



STOP BY THE CHURCH FOR  
FRESHLY POPPED POPCORN  
BEGINNING AT 2:00 P.M. AND UNTIL  
ALL POPCORN TUBS ARE GONE.

ENJOY YOUR POPCORN AT HOME WHILE YOU WATCH  
*A BEAUTIFUL DAY IN THE NEIGHBORHOOD*  
STARRING TOM HANKS AS MISTER ROGERS.

You can find the movie on Starz, DIRECTV, Hulu, Sony Pictures, or for purchase on Amazon Prime.

Let's plan to watch from our homes at 7:00 p.m. and enjoy the connection of being together in different places.  
For your safety, we will be wearing masks and gloves in making and distributing the popcorn.

The outside of the tubs will be sanitized.

\*\*\*\*\*

## Waking Up White

### Discussion on Monday, July 27 at 7:00 p.m. via Zoom

Our congregation, along with many others, is embarking upon a journey to better understand systemic racism in America and our role in dismantling it. On Monday evening, July 27, members of First Presbyterian Church will gather over Zoom to discuss the book, *Waking Up White and Finding Myself in the Story of Race* by Debby Irving. In this book, Irving tells the story of finding herself in the story of race. Members of First Presbyterian Church are encouraged to read this book before our discussion and be prepared to have open and honest conversation. In order to participate in the conversation, you will need to contact the office to express interest. Information regarding the link to the zoom call will then be emailed to you.



\*\*\*\*\*



### Compassion Camp Recap

Each night over the week of June 15 to 19, elementary school children from First Presbyterian Church gathered on Zoom calls for Vacation Bible School. We spent each night talking about compassion. We sang songs led by Frank Poolos, played games led by Courtney Niederer, did yoga led by Rebekah Ayscue, saw pictures and videos of wildlife created by Ken Knight, and heard Bible stories about compassion from Joan Eudy, Katherine Jolly, Andy McLeod, Sarah Michael, Anne Montgomery, and Frankie Palmer. Ten children joined us for VBS for one or more session this year. Everyone had a lot of fun, and they can't wait to gather for Music and Arts Camp when it can be in person again!



# Cooking Camp Recap



Cooking Camp was amazing this year! The weeks leading up to camp were filled with diligent preparations. Thanks to Leah and David Kilde who helped tape, direct, and edit some of the instructional videos. The stars in our videos were former Cooking Class graduates and volunteers: Elizabeth Bryson, Tyler Horton, David Kilde, Leah Kilde, Anne Montgomery, Merrin Morgan, and Lily Snyder. They did a great job! Behind the scenes, Matt Drumheller was continually guiding, editing, and educating, while Pam Knighten was helping me make everything look beautiful as well as helping me on the technology end! I could not have done the technology portion of the camp without Pam and Matt! Everything had to be done differently this year. It was challenging, but with Pam and Matt and Elizabeth's encouragement, I made it through and learned a lot!

The week before camp, the participants picked up their baskets full of goodies (which included cute face masks made by Barbara McManus), a cookbook, and instructional notebooks which would play a huge roll in the success of the camp.

We had a full camp that included some parishioners' children and grandchildren. We met in the morning on Zoom for some instructional time and just some fun! I had planned on 30 minutes, but we were usually having too much fun and would go for an hour. We played charades, had scavenger hunts, created food art, discussed our highs and lows, our pets, and all the fun things we were doing while learning to cook and bake. The kids would share pictures and videos with me throughout the day! Matt has helped me put these into a slideshow that can soon be viewed on our First Presbyterian Church of Albemarle YouTube page.

\*\*\*\*\*



I hope everyone is enjoying their summer and getting outside as much as possible! We are still unable to meet in person, but I hope you will join us on screen for some virtual youth events. Check out our youth Instagram page, @fpcalbemaryouth for updates.

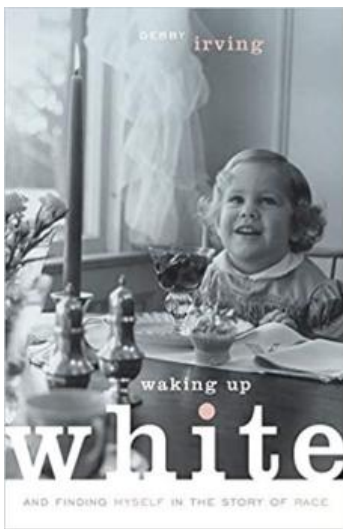
Thursday, July 16 - Virtual Movie Night at 7:00 p.m.

Wednesday, July 29 - Virtual Game Night at 7:00 p.m.



**July Birthdays**  
03- Addison Marks  
23- Jackson Palmer

\*\*\*\*\*



## Book Conversation on Monday, July 27 at 7:00 p.m.

via Zoom technology

The Book:

*Waking Up White and Finding Myself in the Story of Race* by Debby Irving

Join in a discussion of the book, *Waking Up White and Finding Myself in the Story of Race*, by Debby Irving. Irving, a professional, well aware of the tensions between people, shares the story of how one "aha!" moment in 2009 launched an adventure of discovery and insight that drastically shifted her worldview and upended her life plan. In *Waking Up White*, Irving tells her often cringe-worthy story with such openness that readers will turn every page rooting for her-and ultimately for all of us.

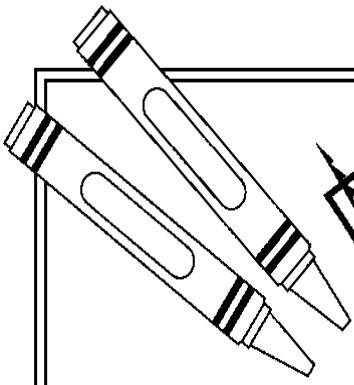
We will participate with a larger group of people in the congregation in this discussion. This is currently scheduled as a Zoom conversation. Contact the office to let us know of your interest. Zoom info will be emailed to you several days before the conversation.

\*\*\*\*\*

# Save the Date for Blessing of the Backpacks Sunday, August 16

Blessing of the Backpacks will take place in worship on August 16. Students of all ages are encouraged to participate in this year's online format.





# PUZZLE

## WATER WORKS!

The gospels record Jesus' miracles, many of which involve water.

*Directions: Using the illustrated equations, fill in the blanks to describe each miracle. Use the Bible references for help.*



Water changes to

\_\_\_\_\_

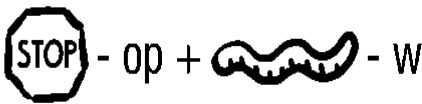
JOHN 2:1-11



Heals a man born

\_\_\_\_\_

JOHN 9



Calms a

\_\_\_\_\_

MATTHEW 8:23-27



Catch of

\_\_\_\_\_

LUKE 5:1-11



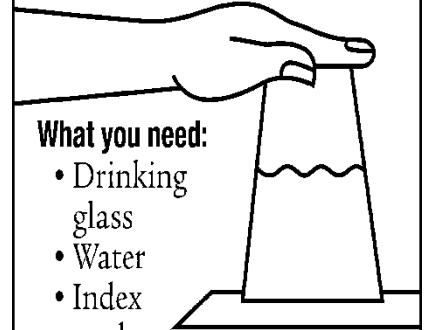
Walks on

\_\_\_\_\_

MATTHEW 14:22-33

## UNSEEN BUT *active*

This experiment illustrates that although God is invisible, we can see his work all around us.



### What you need:

- Drinking glass
- Water
- Index card

### What you do:

1. Practicing over a sink, fill the glass halfway with water. Then press the index card snugly atop the glass with one hand.
2. With the other hand, hold the base of the glass and carefully flip it over.
3. Remove your hand from the card. It should stay on the glass, without spilling the water! The invisible air in the glass creates a suction with the card, preventing the water from spilling out. Research air pressure to learn more.
4. After perfecting the trick, amaze others with it. Then talk about how God, like the air in the glass, is unseen but active.

Answer: wine, blind, storm, fish, water



**Wednesday, July 1**

- 6:45 am Men's Prayer Breakfast Zoom Meeting  
Contact Jeff Robertson for Zoom link  
(jeff.a.robertson10@gmail.com)
- 10:00 am Morning Prayer via Zoom
- 9:00 pm Mom's Group via Zoom  
with Melissa Eudy & Sandy Saunders

**Thursday, July 2**

- 10:00 am Digital Devotional

**Saturday, July 4**

*Independence Day*

**Sunday, July 5**

*Ten-Cents-A-Meal Offering for Hunger*

- 10:00 am Online Worship
- 11:00 am Lemonade on the Lawn via Zoom

**Monday, July 6**

- 10:00 am Morning Prayer via Zoom

**Tuesday, July 7**

- 10:00 am Digital Devotional
- 1:00 pm Online Story Time (PreK-Kindergarten)
- 1:15 pm Online Story Time (1<sup>st</sup>-3<sup>rd</sup> Graders)

**Wednesday, July 8**

- 10:00 am Morning Prayer via Zoom
- 9:00 pm Mom's Group via Zoom  
with Melissa Eudy & Sandy Saunders

**Thursday, July 9**

- 10:00 am Digital Devotional

**Sunday, July 12**

- 9:00 am Diaconate Meeting via Zoom
- 10:00 am Online Worship
- 11:00 am Lemonade on the Lawn via Zoom

**Monday, July 13**

- 10:00 am Morning Prayer via Zoom

**Tuesday, July 14**

- 10:00 am Digital Devotional
- 1:00 pm Online Story Time (PreK-Kindergarten)
- 1:15 pm Online Story Time (1<sup>st</sup>-3<sup>rd</sup> Graders)

**Wednesday, July 15**

*Deadline for Endowment Grant Applications*

- 10:00 am Morning Prayer via Zoom
- 9:00 pm Mom's Group via Zoom  
with Melissa Eudy & Sandy Saunders

**Thursday, July 16**

- 10:00 am Digital Devotional
- 11:00 am-2:00 pm Shop & Drop for SCCM  
(front steps of the church)
- 7:00 pm Virtual Youth Group Movie Night

**Friday, July 17**

- 2:00 pm-until Pick-up Popcorn for Movie Night
- 7:00 pm Movie Night at Home-  
*A Beautiful Day in the Neighborhood*

**Sunday, July 19**

- 8:30 am Session Meeting via Zoom
- 10:00 am Online Worship
- 11:00 am Lemonade on the Lawn via Zoom

**Monday, July 20**

- 10:00 am Morning Prayer via Zoom

**Tuesday, July 21**

- 10:00 am Digital Devotional
- 1:00 pm Online Story Time (PreK-Kindergarten)
- 1:15 pm Online Story Time (1<sup>st</sup>-3<sup>rd</sup> Graders)

**Wednesday, July 22**

- 10:00 am Morning Prayer via Zoom
- 9:00 pm Mom's Group via Zoom  
with Melissa Eudy & Sandy Saunders

**Thursday, July 23**

- 10:00 am Digital Devotional

**Sunday, July 26**

- 10:00 am Online Worship
- 11:00 am Lemonade on the Lawn via Zoom

**Monday, July 27**

- 10:00 am Morning Prayer via Zoom
- 7:00 pm Conversation via Zoom on *Waking Up White and Finding Myself in the Story of Race*

**Tuesday, July 28**

- 10:00 am Digital Devotional
- 1:00 pm Online Story Time (PreK-Kindergarten)
- 1:15 pm Online Story Time (1<sup>st</sup>-3<sup>rd</sup> Graders)

**Wednesday, July 29**

- 10:00 am Morning Prayer via Zoom
- 7:00 pm Youth Group Virtual Game Night
- 9:00 pm Mom's Group via Zoom  
with Melissa Eudy & Sandy Saunders

**Thursday, July 30**

- 10:00 am Digital Devotional



# Church Website Address & Staff Email Addresses

Church Website Address: [www.fpcalbemarle.org](http://www.fpcalbemarle.org)  
Church Email Address: [klambert@fpcalbemarle.org](mailto:klambert@fpcalbemarle.org)  
Elizabeth Ayscue: [eayscue@fpcalbemarle.org](mailto:eayscue@fpcalbemarle.org)  
Matt Drumheller: [mdrumheller@fpcalbemarle.org](mailto:mdrumheller@fpcalbemarle.org)  
Dorothy Hart: [dhart@fpcalbemarle.org](mailto:dhart@fpcalbemarle.org)

Pam Knighten: [pknighten@fpcalbemarle.org](mailto:pknighten@fpcalbemarle.org)  
Kyle Lambert: [klambert@fpcalbemarle.org](mailto:klambert@fpcalbemarle.org)  
Stan Scheer: [sscheer@fpcalbemarle.org](mailto:sscheer@fpcalbemarle.org)  
Jane Snyder: [jsnyder@fpcalbemarle.org](mailto:jsnyder@fpcalbemarle.org)

\*\*\*\*\*

All members of the church staff are working at home unless it is necessary for them to be at church.

The church's answering machine is being checked periodically; however, in case of an emergency, please contact Elizabeth (704.985.2945) or Matt (540.449.5319) directly.

**PLEASE NOTE:**

**PLEASE NOTE:**

\*\*\*\*\*

**August Newsletter Deadline...**

**Tuesday, July 21**

**Early submissions are always welcome!  
If you type your items in Microsoft Word,  
please email them as an attachment to:  
[pknighten@fpcalbemarle.org](mailto:pknighten@fpcalbemarle.org)**



**Watch**



**your email for  
additions and changes  
to this schedule.**

\*\*\*\*\*

